

INSTALLATION INSTRUCTIONS

Output Multiplier – Part Number 13025

Congratulations on your purchase of this Output Extender. This unit will allow you to connect more bulbs to a Dome Light Dimmer. This Extender can drive 3.5 amps continuous – enough for another 3-4 standard dome light bulbs. Additional extenders can be ganged together to handle more current.

Parts Included in this Kit

1-Controller Unit
3-T-taps
2-Zip-ties

1-Small crimp ring
3-Male ¼" Connectors

Mounting the Unit

The Output Multiplier may be mounted in any location where the electrical connections are easily accessible. Mounting in a weatherproof location is recommended. Use two self-tapping screws, rivets, or zip-ties through the mounting tabs to securely mount the unit.

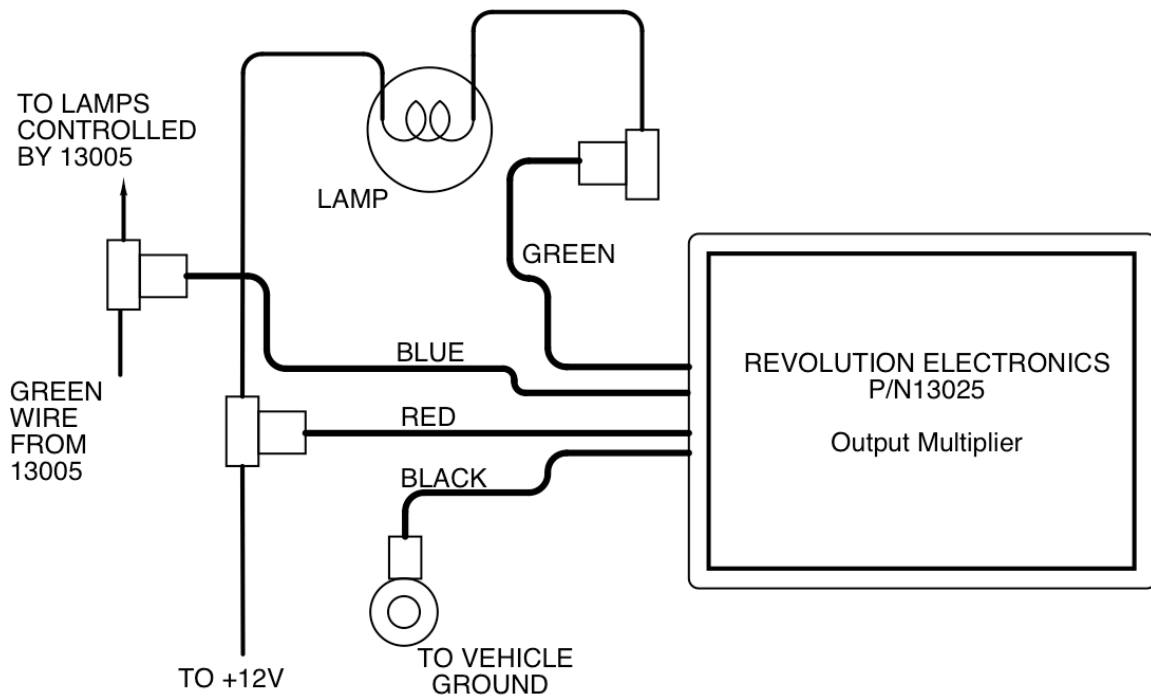


Figure 1

Electrical Connections

The Output Multiplier needs connections to constant power, an input trigger lead, an output drive lead, and a main ground lead. Figure 1 shows a basic schematic of how the unit should be wired.

Red Wire - Connect this to the same red wire circuit used by your Dome Light Dimmer; use the supplied T-Tap. Connect one of the male connectors to the end of the red wire and insert into the T-Tap. Less than 1/10th of an amp will be drawn from this wire to power the delay module.

Green Wire - Connect this wire to the wire going to the lights you are going to control. This wire will supply the ground connection to the lamps or LEDs.

**REVOLUTION
ELECTRONICS**
www.revolutionelectronics.com
Cypress, California 90630

Blue wire – Connect this wire to the green wire from the 13005 Deluxe Dome Light Dimmer. This wire is used to sense when the Dimmer is turning on and off.

Black Wire - Connect this wire to a good vehicle ground. The small ring terminal can be used to attach this wire to a mounting bolt or another source of vehicle ground.

Troubleshooting:

Dome light doesn't dim out, just shuts off:

- Red wire not connected to the constant power wire.
- Black wire not connected to a good ground source.

Other symptoms and fixes:

- If the unit does not seem to be sensing the light being on or off, check the blue wire connection. A voltmeter on the blue wire should show 0v when the light is on and battery voltage when the light is off.

Warranty:

All Revolution Electronics products carry a warranty against defects in materials or workmanship for a period of one (1) year from the original retail purchase. Revolution Electronics' liability is strictly limited to the prompt repair or replacement of the defective product. Revolution Electronics shall not be responsible for (a) labor, transportation, or other incidental charges; (b) consequential or other damages incurred by use of any product. Revolution Electronics offers no other warranty beyond this limited warranty. This limited warranty does not apply to products which have been (a) modified or altered in any way; (b) subjected to adverse conditions, misuse, neglect, accident, improper installation or adjustment, contaminants, corrosion, or faulty repair; or (c) used in applications other than those recommended by Revolution Electronics. To initiate a warranty process, the consumer must first contact technical support (tech@revolutionelectronics.com) to receive a return authorization number. The product must be returned to Revolution Electronics complete with a dated receipt and a return authorization number.