

INSTALLATION INSTRUCTIONS

Breathing Module – Part Number 13021

Congratulations on your purchase of this Breathing Module. Usually connected to accent lighting, this module provides a “breathing” effect – brightening and dimming the lights in 5 second cycles. Once turned on, the module will perform the breathing action for about 8 hours at which point it will auto shut-off to conserve battery power. Obviously the module can be turned off at any time by just cutting power to the 12 volt lead.

Parts Included in this Kit

1-Controller Unit

1-Small crimp ring

2-Zip-ties

Mounting the Unit

This module may be mounted in any location where the electrical connections are easily accessible. Mounting in a weatherproof location is recommended. Use two self-tapping screws, rivets, or supplied zip-ties through the mounting tabs to securely mount the unit.

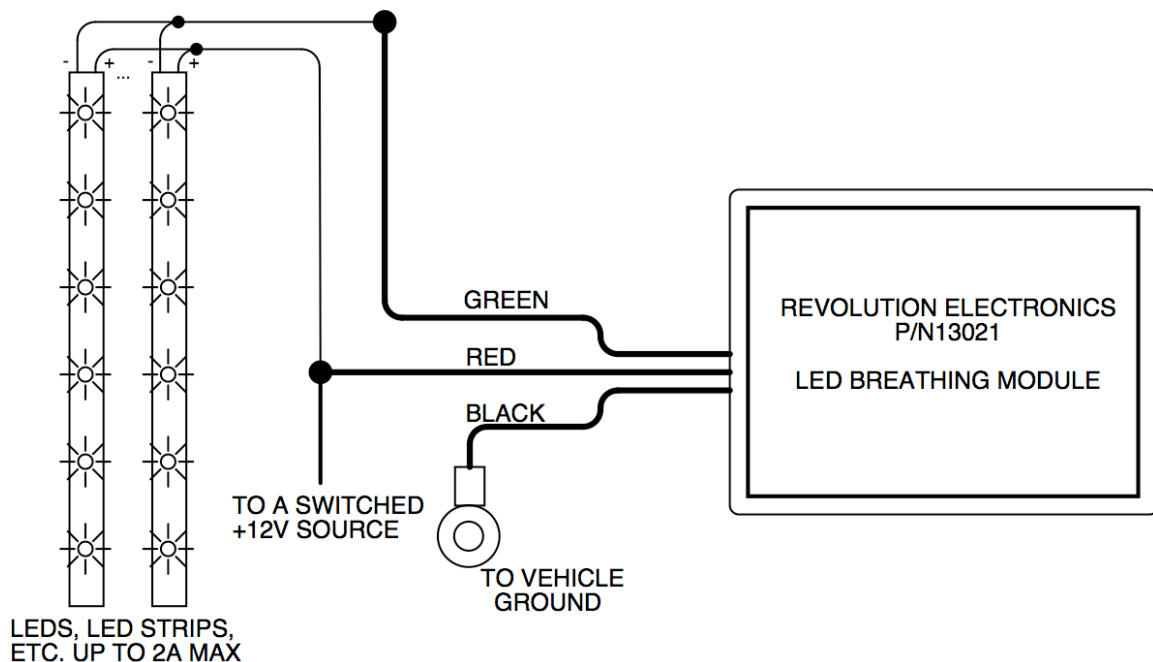


Figure 1

Electrical Connections

The Breathing Module needs connections to constant power and ground. The green wire is the output from the module and supplies the ground connection for your accent lighting. Figure 1 shows a basic schematic of how the unit should be wired.

**REVOLUTION
ELECTRONICS**
www.revolutionelectronics.com
Cypress, California 90630

Red Wire - This needs to be connected to a switched source of 12v. Applying power to this wire is what turns on the unit and starts the “breathing” cycles. Less than 1/10th of an amp will be drawn from this wire to power the module.

Green Wire - Connect this wire to your accent lighting which you want to pulse. This wire will supply the ground side of the circuit. LEDs are polarized, so be sure to connect this wire to the negative side, otherwise the LEDs will not light up. This wire can handle about 2 amps and has an internal self-resetting circuit breaker to prevent excess current draw. When connecting to LEDs, the 2 amp capacity is enough to supply a LOT of LEDs, so have fun!

Black Wire - Connect this wire to a good vehicle ground. The small ring terminal can be used to attach this wire to a mounting bolt or another source of vehicle ground.

Troubleshooting:

Lights don't come on:

- Red wire not connected to power. Verify with a voltmeter.
- Black wire not connected to a good ground source.
- Green wire not connected to correct side of LED.
- Other side of lighting not connected to power. Verify with a voltmeter.
- Internal circuit breaker has shut the unit down. Shut off power for a few minutes and re-check.

Warranty:

All Revolution Electronics products carry a warranty against defects in materials or workmanship for a period of one (1) year from the original retail purchase. Revolution Electronics' liability is strictly limited to the prompt repair or replacement of the defective product. Revolution Electronics shall not be responsible for (a) labor, transportation, or other incidental charges; (b) consequential or other damages incurred by use of any product. Revolution Electronics offers no other warranty beyond this limited warranty. This limited warranty does not apply to products which have been (a) modified or altered in any way; (b) subjected to adverse conditions, misuse, neglect, accident, improper installation or adjustment, contaminants, corrosion, or faulty repair; or (c) used in applications other than those recommended by Revolution Electronics. To initiate a warranty process, the consumer must first contact technical support (tech@revolutionelectronics.com) to receive a return authorization number. The product must be returned to Revolution Electronics complete with a dated receipt and a return authorization number.


www.revolutionelectronics.com
Cypress, California 90630