

INSTALLATION INSTRUCTIONS

Dome Light Dimmer – Part Number 13001

Congratulations on your purchase of this Dome Light Dimmer. Adding this dimmer to the dome light will cause the light to stay lit for about two and a half seconds after a door is closed and then slowly fade to off.

Parts Included in this Kit

- | | |
|-------------------|----------------------|
| 1-Controller Unit | 1-Small crimp ring |
| 2-T-taps | 2-Male ¼" Connectors |
| 2-Zip-ties | |

Mounting the Unit

The Dome Light Dimmer may be mounted in any location where the electrical connections are easily accessible. Mounting in a weatherproof location is recommended. Use two self-tapping screws, rivets, or zip-ties through the mounting tabs to securely mount the unit.

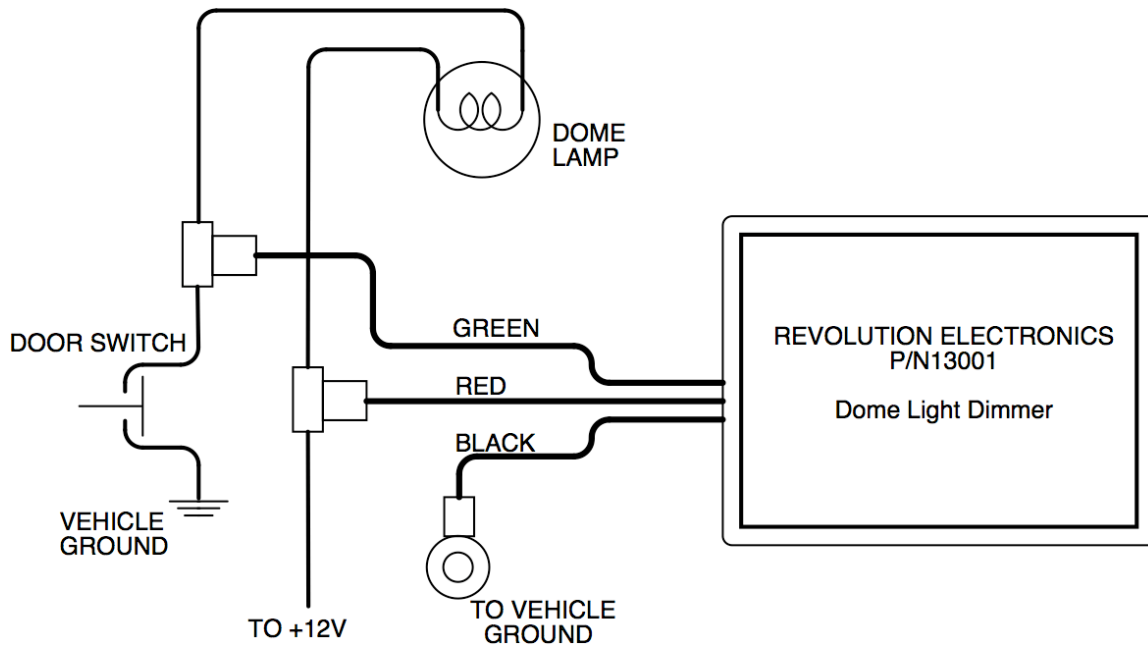


Figure 1

Electrical Connections

The Dome Light Dimmer needs connections to constant power, the dome light ground wire, and a main ground lead. Figure 1 shows a basic schematic of how the unit should be wired.

Red Wire - Two wires run up to the dome light from under the dash. One wire (on GM cars it is usually orange and on Mopars this wire is usually pink) is constant power. Check this with a voltmeter and attach one T-tap to this wire. Connect one of the

REVOLUTION ELECTRONICS

www.revolutionelectronics.com

Cypress, California 90630

male connectors to the end of the red wire and insert into the T-Tap. Less than 1/10th of an amp will be drawn from this wire to power the delay module.

Green Wire - Connect this wire to the second wire going up to the dome light (typically white on GM cars or yellow on Mopars). With a voltmeter, verify the wire shows zero volts when the door is open and battery voltage when the door is closed. Attach the second T-Tap to this wire. Connect the second male connector to the end of the green wire and insert into the T-Tap. This wire senses whether the door is open or closed.

Black Wire - Connect this wire to a good vehicle ground. The small ring terminal can be used to attach this wire to a mounting bolt or another source of vehicle ground.

Troubleshooting:

Dome light doesn't dim out, just shuts off:

- Red wire not connected to the constant power wire.
- Black wire not connected to a good ground source.
- Green wire not connected to correct wire up to dome light.

Warranty:

All Revolution Electronics products carry a warranty against defects in materials or workmanship for a period of one (1) year from the original retail purchase. Revolution Electronics' liability is strictly limited to the prompt repair or replacement of the defective product. Revolution Electronics shall not be responsible for (a) labor, transportation, or other incidental charges; (b) consequential or other damages incurred by use of any product. Revolution Electronics offers no other warranty beyond this limited warranty. This limited warranty does not apply to products which have been (a) modified or altered in any way; (b) subjected to adverse conditions, misuse, neglect, accident, improper installation or adjustment, contaminants, corrosion, or faulty repair; or (c) used in applications other than those recommended by Revolution Electronics. To initiate a warranty process, the consumer must first contact technical support (tech@revolutionelectronics.com) to receive a return authorization number. The product must be returned to Revolution Electronics complete with a dated receipt and a return authorization number.

REVOLUTION ELECTRONICS

www.revolutionelectronics.com

Cypress, California 90630